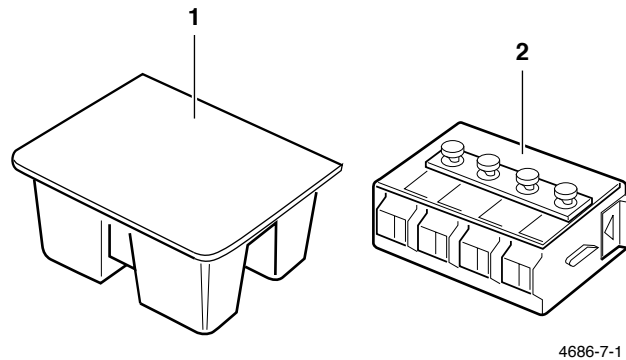


## Installation tips

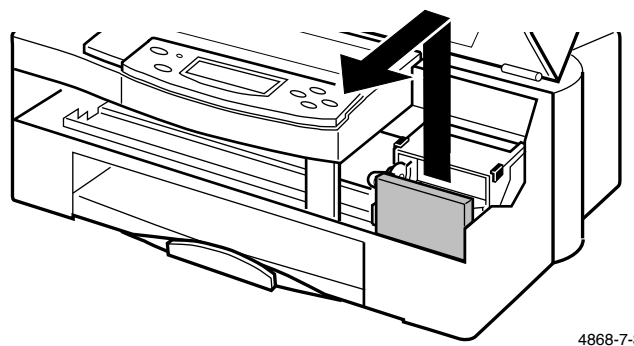
Please read over these tips before installing your Phaser 140 Color Printer.

### Installing the print head

The print head is packaged in a sealed plastic box (1). When unpacked, the print head appears as shown (2).



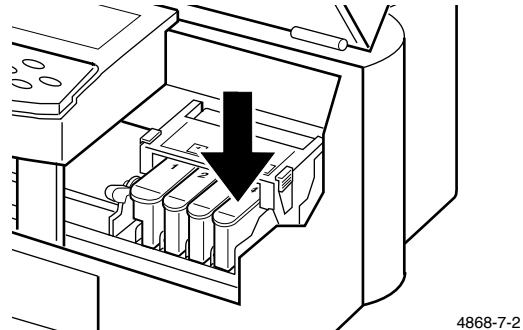
Before installing the print head, be sure to remove the packing material.



For more information on installing the print head, see "Installing the print head," in Chapter 2 of the user manual.

## Installing ink cartridges

When installing ink cartridges, be sure to press down on the cartridge until it snaps into place.



For more information on installing ink cartridges, see “Installing ink cartridges,” in Chapter 2 of the user manual.

## First-time power-up

When you turn on the printer *for the first time*, the printer purges the ink jets. This first-time printhead initialization takes a few minutes. When the first-time power-up is complete, the printer’s front panel displays *ready* and the two green lights on the front panel are lit.

### SELECT



When the first-time power-up is complete, the printer’s front panel may display *ink out* instead of *ready*. If this happens, press the **SELECT** button. The printer purges the ink jets again before displaying *ready*. In rare cases, the front panel will display something other than *ready* after the second purge. If this happens, turn the printer off, then on again. The printer will power-up correctly the second time.

The printer is shipped with the startup page enabled. However, when you turn on the printer *for the first time*, or when you install a new print head, you may not get a startup page. The printer will print a startup page on all subsequent power-ups, until the startup page is disabled.

For more information on the printer’s power-up sequence and the startup page, see “Connecting the power and turning on the printer,” in Chapter 2 of the user manual.